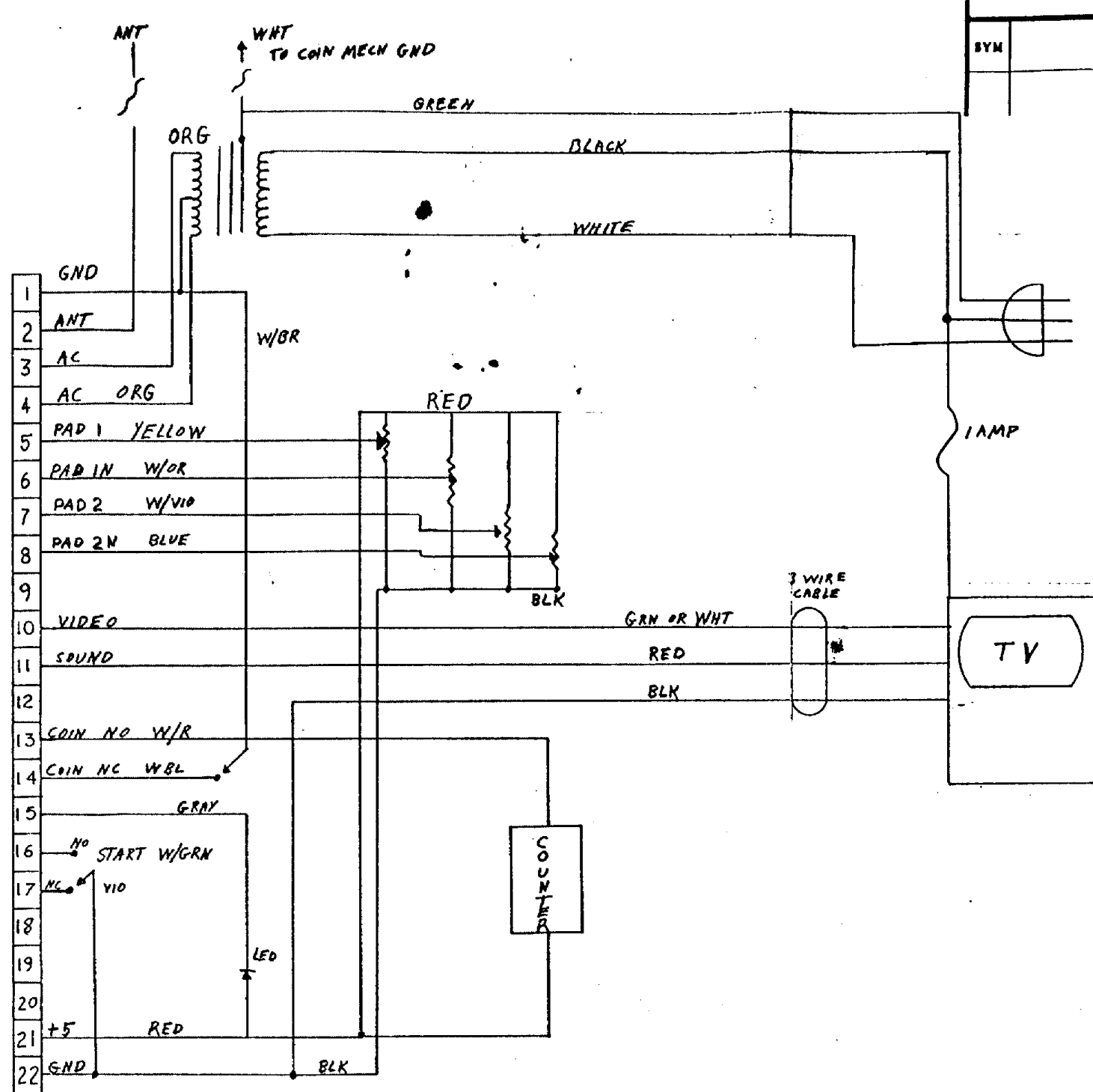


ATARI INC 14600 WINCHESTER BLVD
 LOS GATOS, CA., 95030
 REV F
 SCHEMATIC PONG DOUBLES
 DRN: PCD 10-1773 APP: 2/77
 SH 1 OF 1



REVISIONS			INITIALS and DATE		
SYM	DESCRIPTION		DRFTG	CHECK	ENGRG

D

C

B

A

DRAWING NO. SHEET REV

APPLICATION	USED ON	NEXT ASSY

INTERPRET THIS DRAWING PER USAS 114.5 UNLESS OTHERWISE SPECIFIED DIMENSIONS ARE IN INCHES TOLERANCES ON: FRACTIONS = ± 1/16 .x = ± .1 ANGLES = ± 1° .xx = ± .03 SURFACE FINISH ✓ .xxx = ± .010	DRAWN BY M. JONES	DATE 10-14-71	 ATARI INCORPORATED 14600 Winchester Boulevard Los Gatos, California 95030
	CHECKED DESIGN ENGINEER PROJECT ENGINEER	DOCUMENT CONTROL 777	
MATERIAL:	APPROVED	SIZE C	DRAWING NO. 000783
SCALE <i>H</i>	SHEET 1 OF 1	REV D	

4

3

2

1